

Original size

Corner radius

Aluminium/Anthracite R 1.5

Stainless Steel/Gold R 2

Protection level

IP 20/IP 21

IP 44 in connection with
sealing gasket

**Permissible ambient operating
temperature**

conventional devices: -15 °C ... +60 °C

electronic devices: -15 °C ... +45 °C

(Above +25 °C the connected load
of dimmers needs to be reduced
acc. to operating instructions.)

KNX devices: +5 °C ... +25 °C



Material/Colour

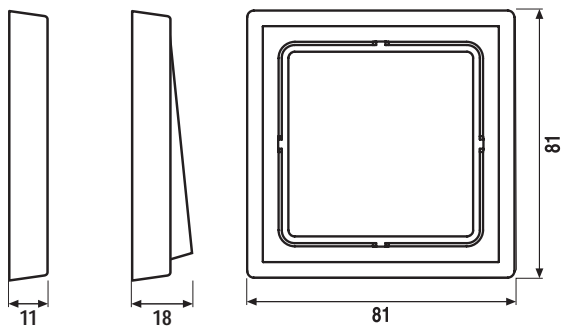
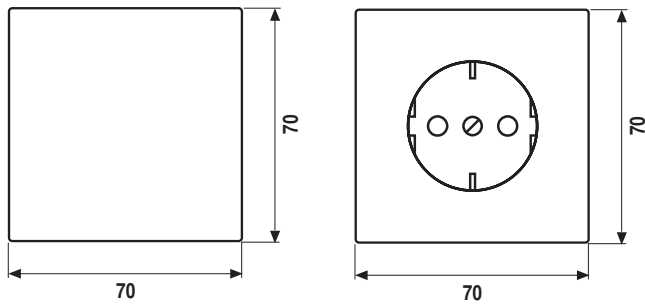
Aluminium: AIMg1
matt finished

Anthracite: lacquered aluminium

Stainless Steel: 1.4301 X4 CrNi 18-12
shot-blasted with
glass beads

Chrome: Chrome-plated metal

Gold: 24 carat gold-plated metal
PVD-coated metal



Frame size

1-gang	81 mm x 81 mm
2-gang	152 mm x 81 mm
3-gang	223 mm x 81 mm
4-gang	294 mm x 81 mm
5-gang	365 mm x 81 mm

Frames can be installed horizontally and vertically.

