



Original size

Corner radius R 1.5

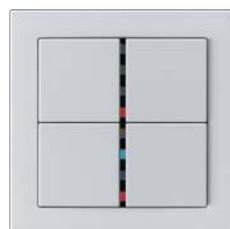
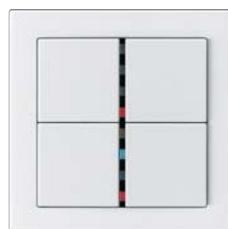
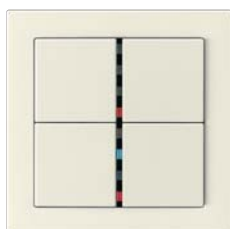
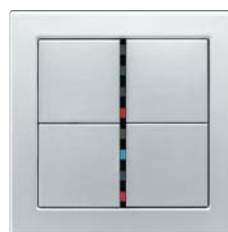
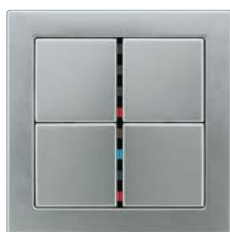
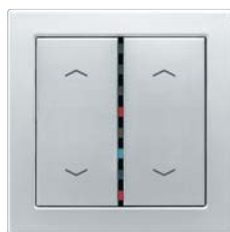
Permissible ambient operating temperature

conventional devices: 0 °C ... +60 °C

electronic devices: 0 °C ... +45 °C

(Above +25 °C the connected load of dimmers needs to be reduced acc. to operating instructions.)

KNX devices: +5 °C ... +25 °C



Material/Colour

FD 990: Thermoplastic

Colours

ivory similar RAL 1013

white similar RAL 9010

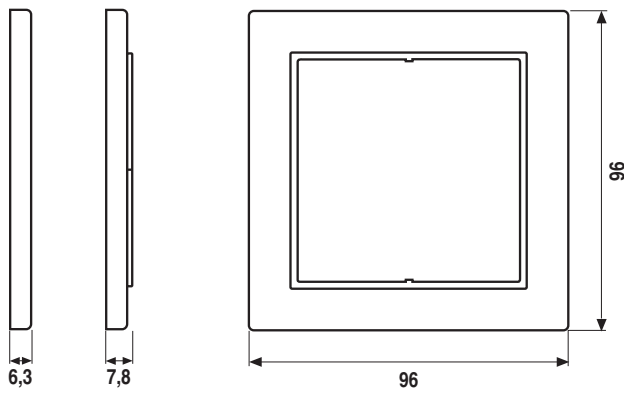
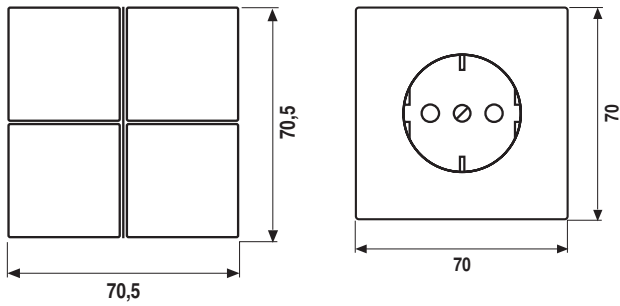
light grey similar RAL 7035

Aluminium: AlMg1

matt finished

Anthracite: lacquered aluminium

Stainless Steel: 1.4301 X4 CrNi 18-12
shot-blasted with glass beads



Frame size

1-gang 96 mm x 96 mm

2-gang 167 mm x 96 mm

3-gang 238 mm x 96 mm

Frames can be installed horizontally and vertically.

