



Original size



**Corner radius R 1.5**

**Permissible ambient operating temperature**

conventional devices: -15 °C ... +60 °C

electronic devices: -15 °C ... +45 °C

(Above +25 °C the connected load of dimmers needs to be reduced acc. to operating instructions.)

KNX devices: +5 °C ... +25 °C

**Material/Colour**

Thermoplastic

Colours

ivory similar RAL 1013

white similar RAL 9010

light grey similar RAL 7035

Aluminium: AlMg1

matt finished

Anthracite:  
lacquered aluminium

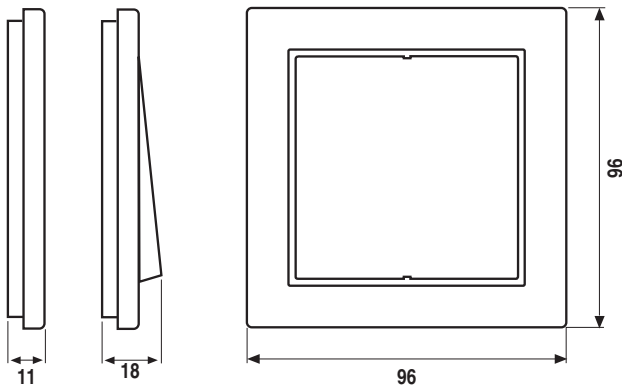
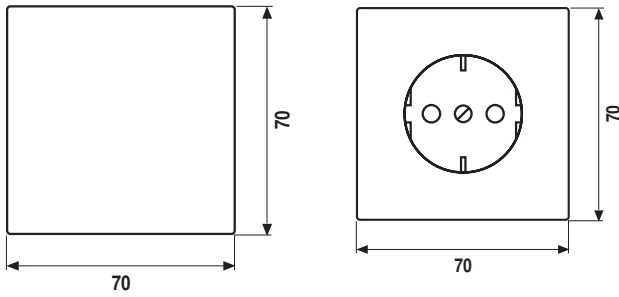
Stainless Steel:

1.4301 X4 CrNi 18-12

shot-blasted with glass beads

Chrome:

Chrome-plated metal



**Frame size**

- 1-gang 96 mm x 96 mm
- 2-gang 167 mm x 96 mm
- 3-gang 238 mm x 96 mm

Frames can be installed horizontally and vertically.

