



Original size

Corner radius frame (bevel) 0.5 x 45°

Permissible ambient operating temperature

conventional devices: -15 °C ... +60 °C

electronic devices: -15 °C ... +45 °C

(Above +25 °C the connected load of dimmers needs to be reduced acc. to operating instructions.)

KNX devices: +5 °C ... +25 °C



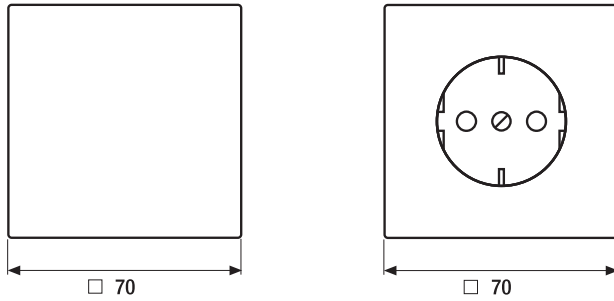
Material

Glass: safety glass, satin surface
Colours: black, white, soft white

Aluminium: AlMg Si 05,
anodised

Stainless Steel: 1.4301,
shot-blasted with glass beads

Chrome: AlMg Si 05,
surface high gloss chrome-plated



Frame size

1-gang	115 mm x 115 mm
2-gang	186 mm x 115 mm
3-gang	257 mm x 115 mm
4-gang	328 mm x 115 mm
5-gang	399 mm x 115 mm

Frames can be installed horizontally and vertically.

