



Original size

Corner radius R 7

Material
Thermoplastic

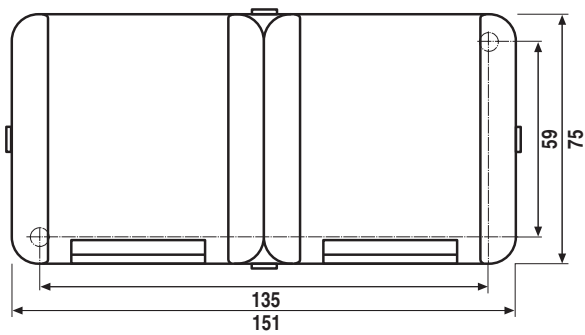
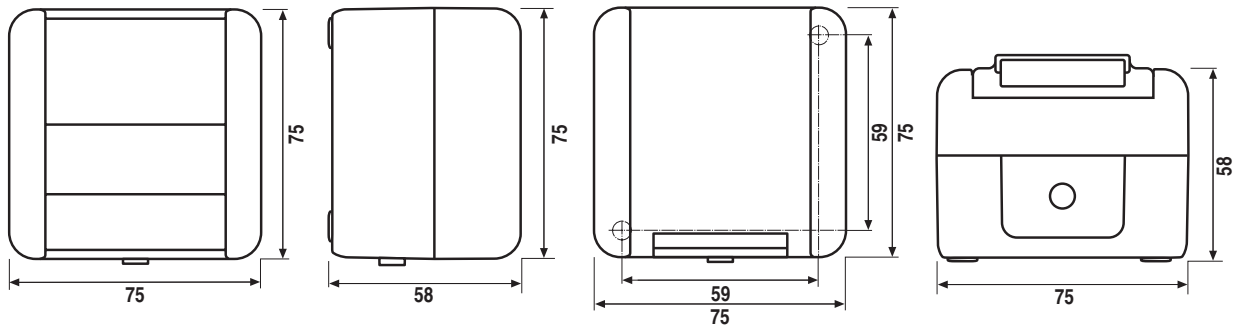
Housing
grey similar RAL 7035

Rocker
anthracite similar RAL 7016

Protection level
IP 44

Permissible ambient operating temperature
conventional devices: -15 °C ... +80 °C
electronic devices: -15 °C ... +45 °C
(Above +25 °C the connected load of dimmers needs to be reduced acc. to operating instructions.)
KNX devices: +5 °C ... +25 °C





Dimensions

Switch/socket (WxHxD)
75 mm x 75 mm x 56 mm

Combinations

Switch/socket (WxHxD)
75 mm x 150 mm x 56 mm

